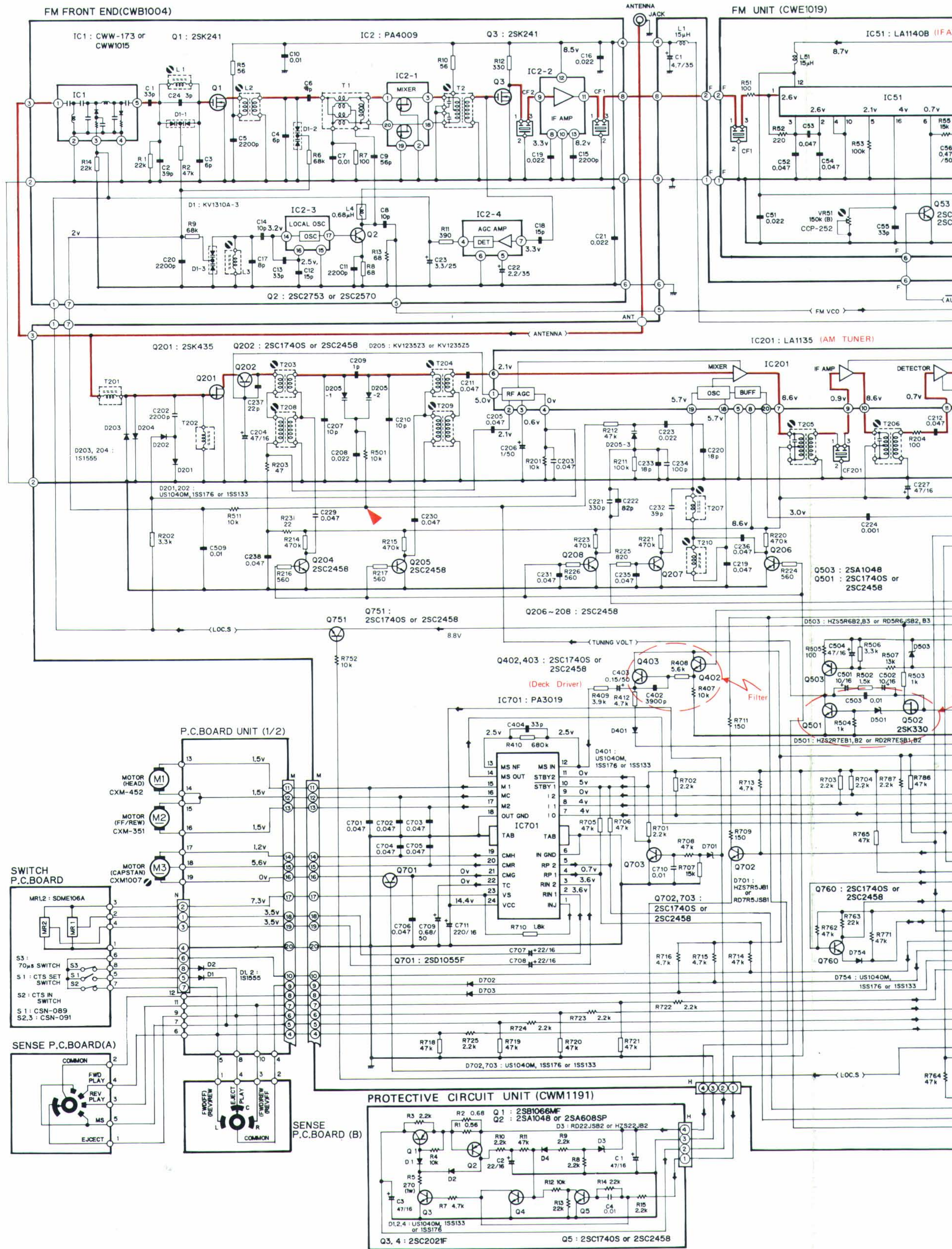


10. SCHEMATIC CIRCUIT DIAGRAM (KEH-9030SDK/WG)

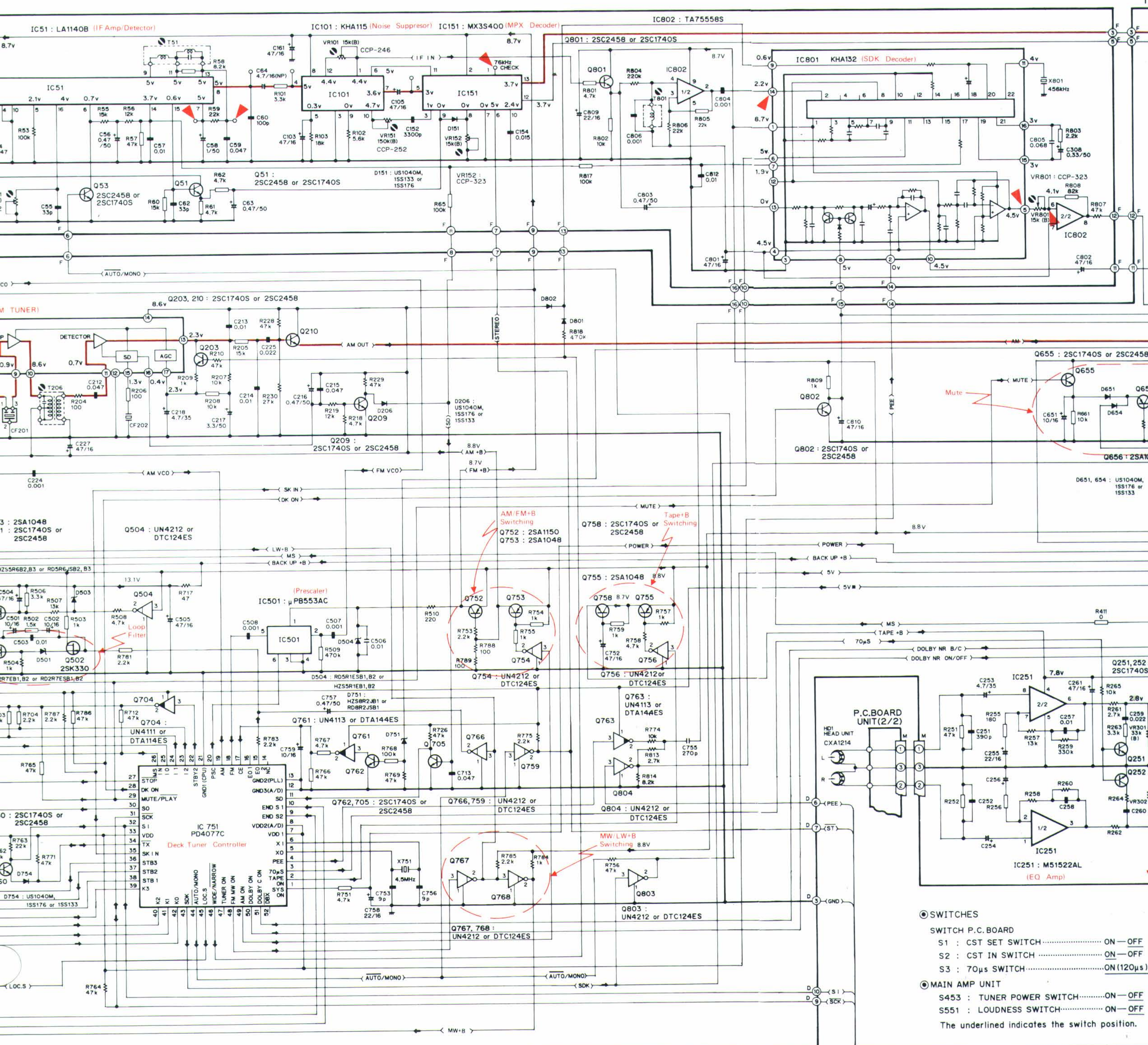


A

B

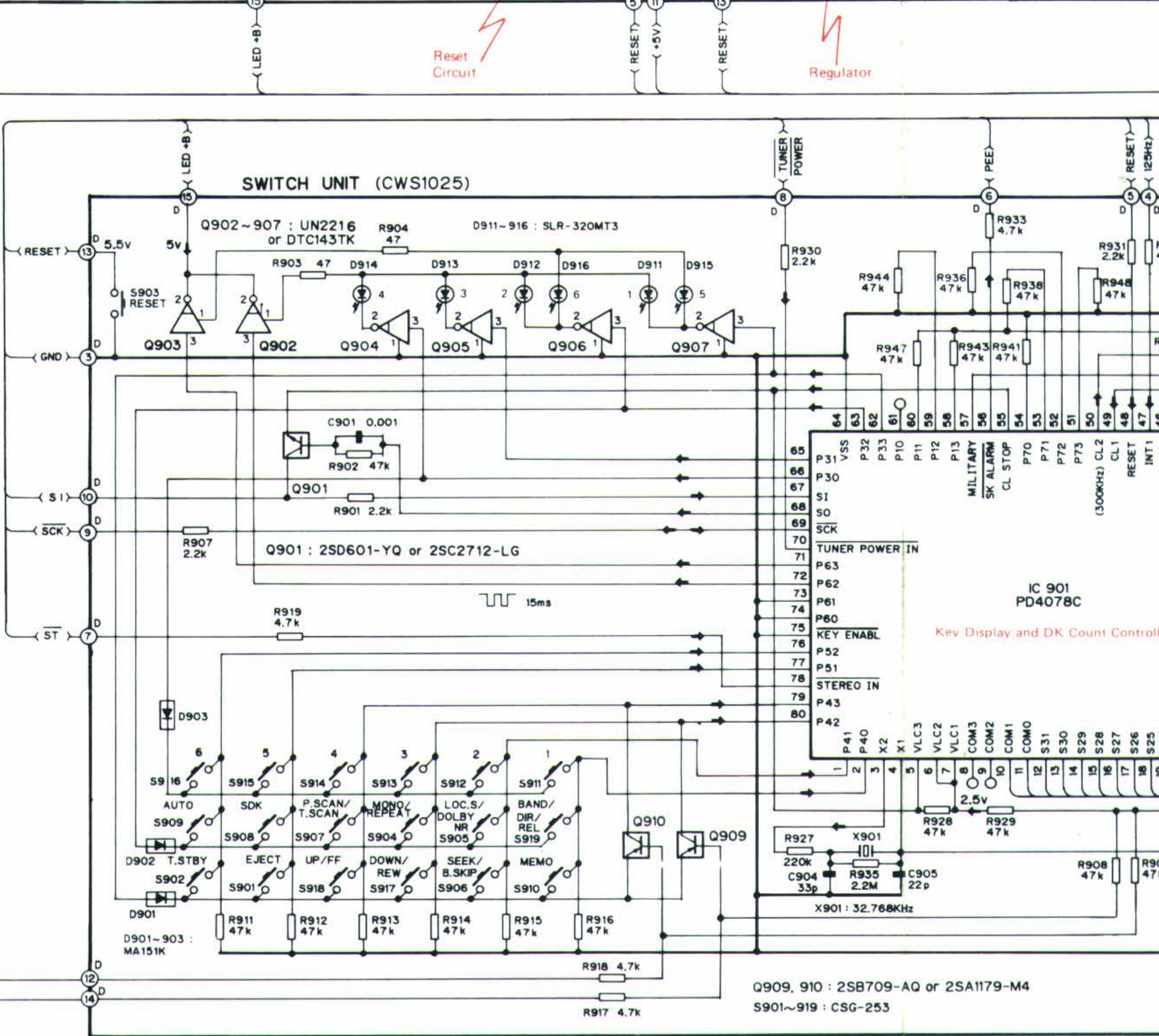
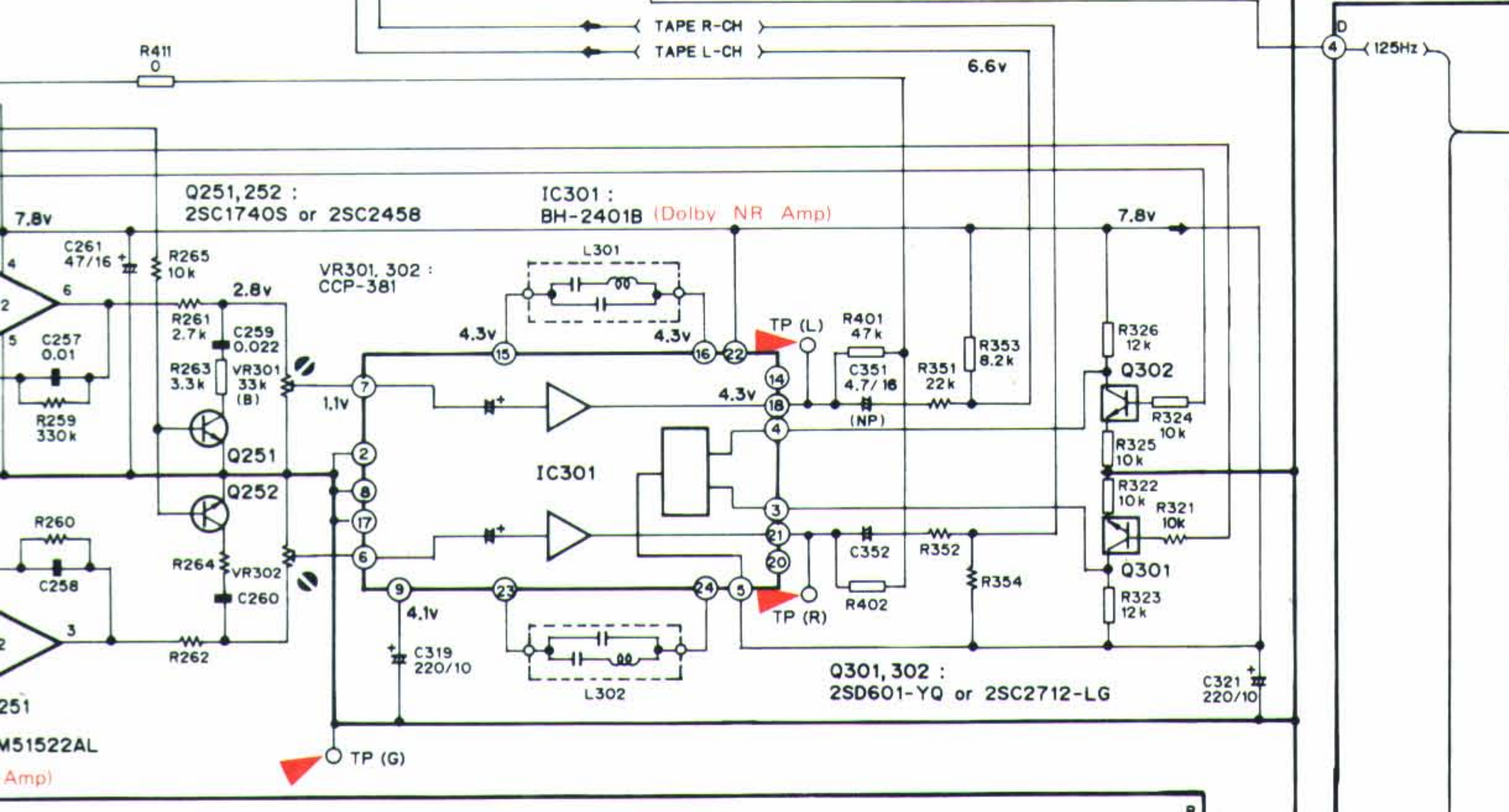
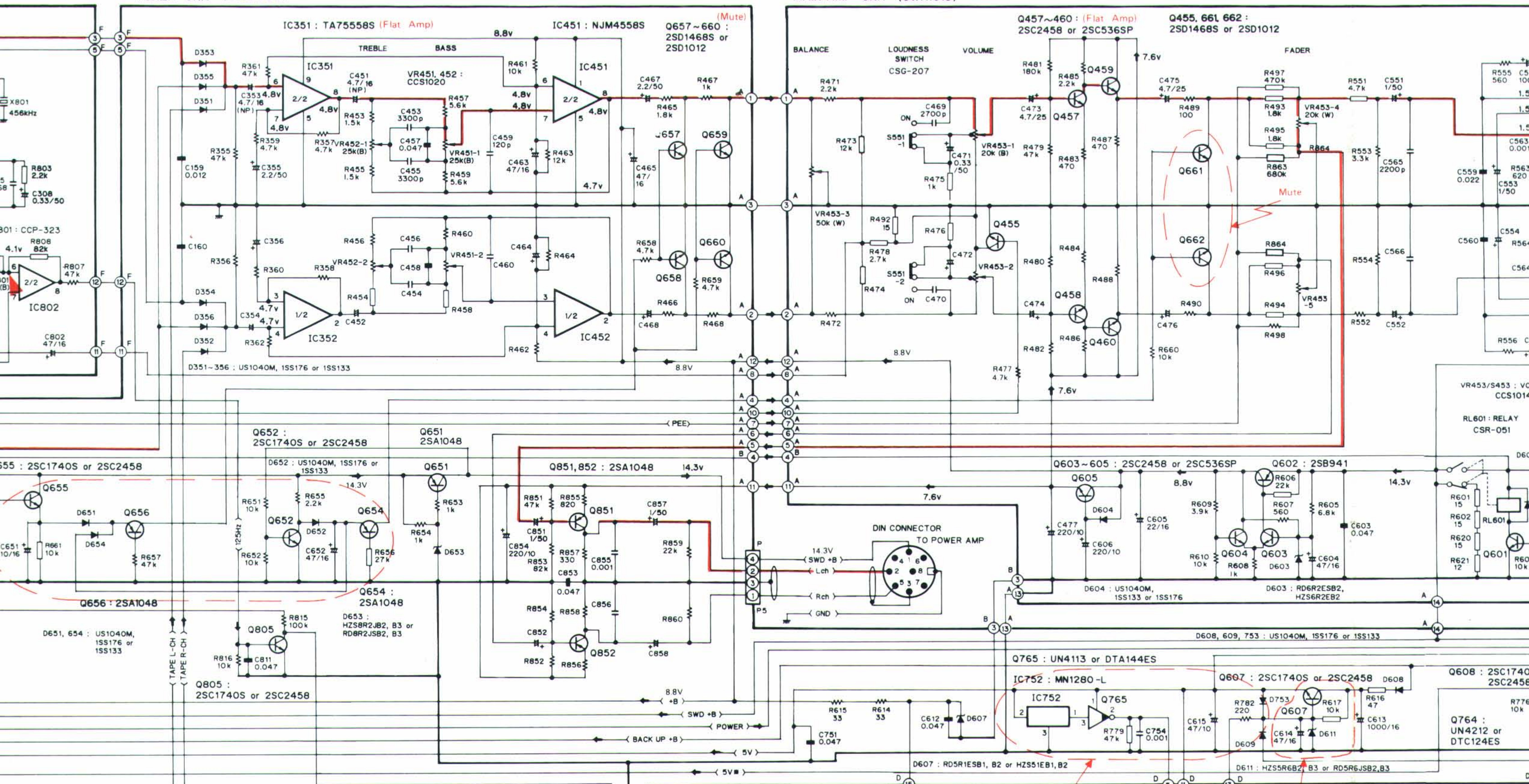
C

D



TUNER UNIT (CWE1025)

MAIN AMP UNIT (CWH1019)



NOTE

- Indicates a chip resistor.
- Indicates a chip capacitor.
- ▢ Indicates a chip transistor.
- ◊ Indicates a chip Diode.
- ⊞ Indicates a chip Inductor.

ON — OFF

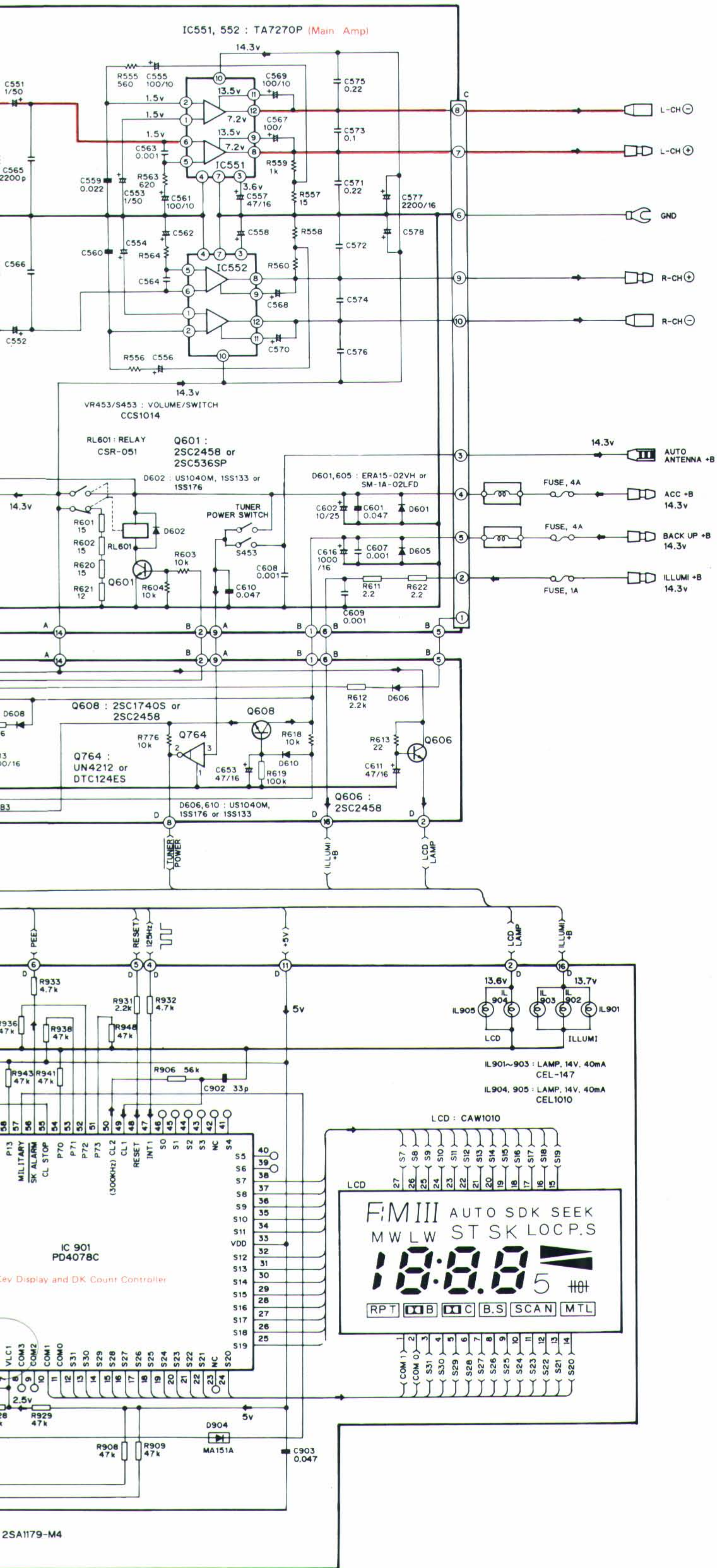
ON — OFF

ON (120μs) — OFF (70μs)

SWITCH — ON — OFF

ATCH — ON — OFF

the switch position.

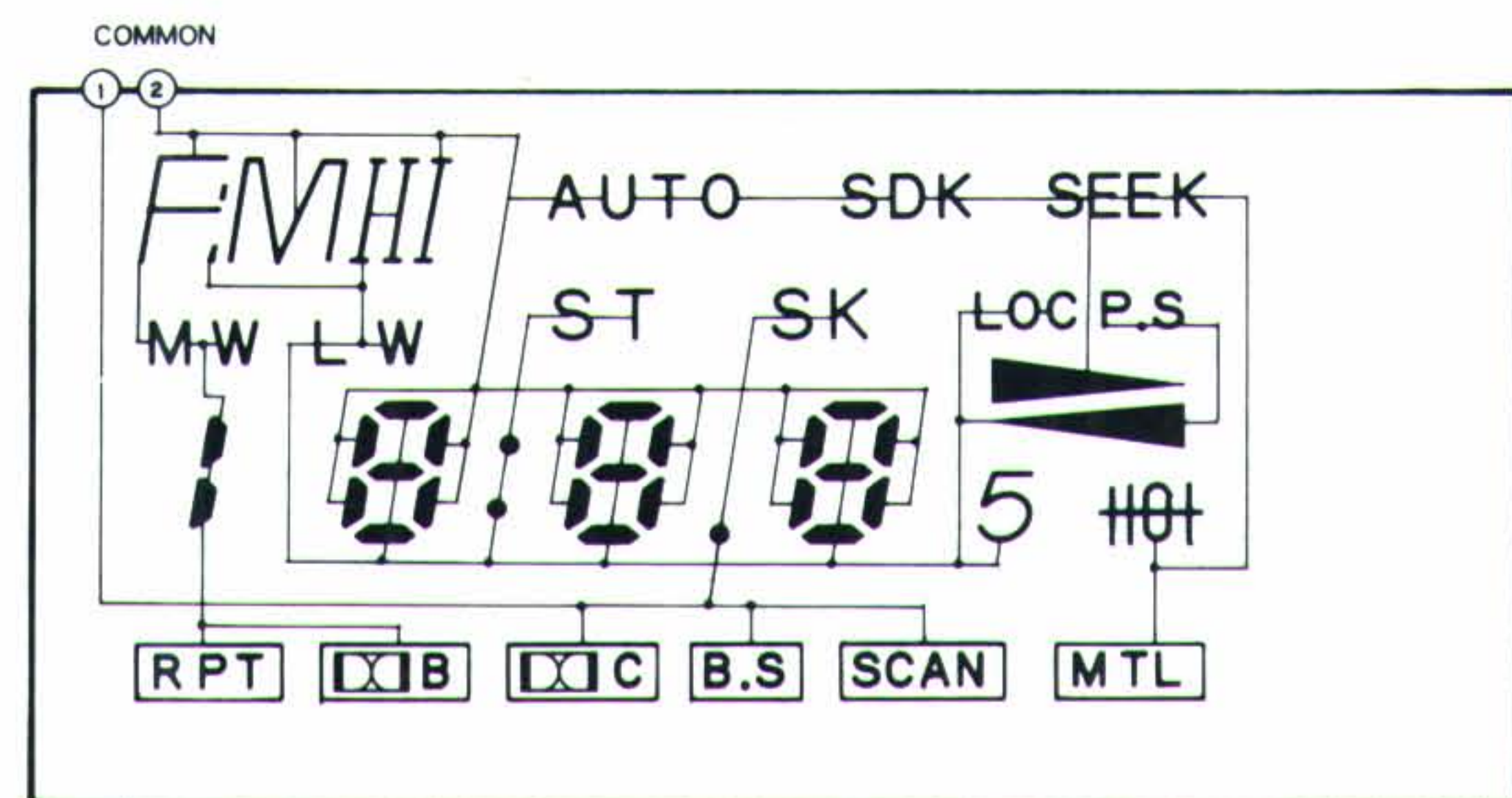
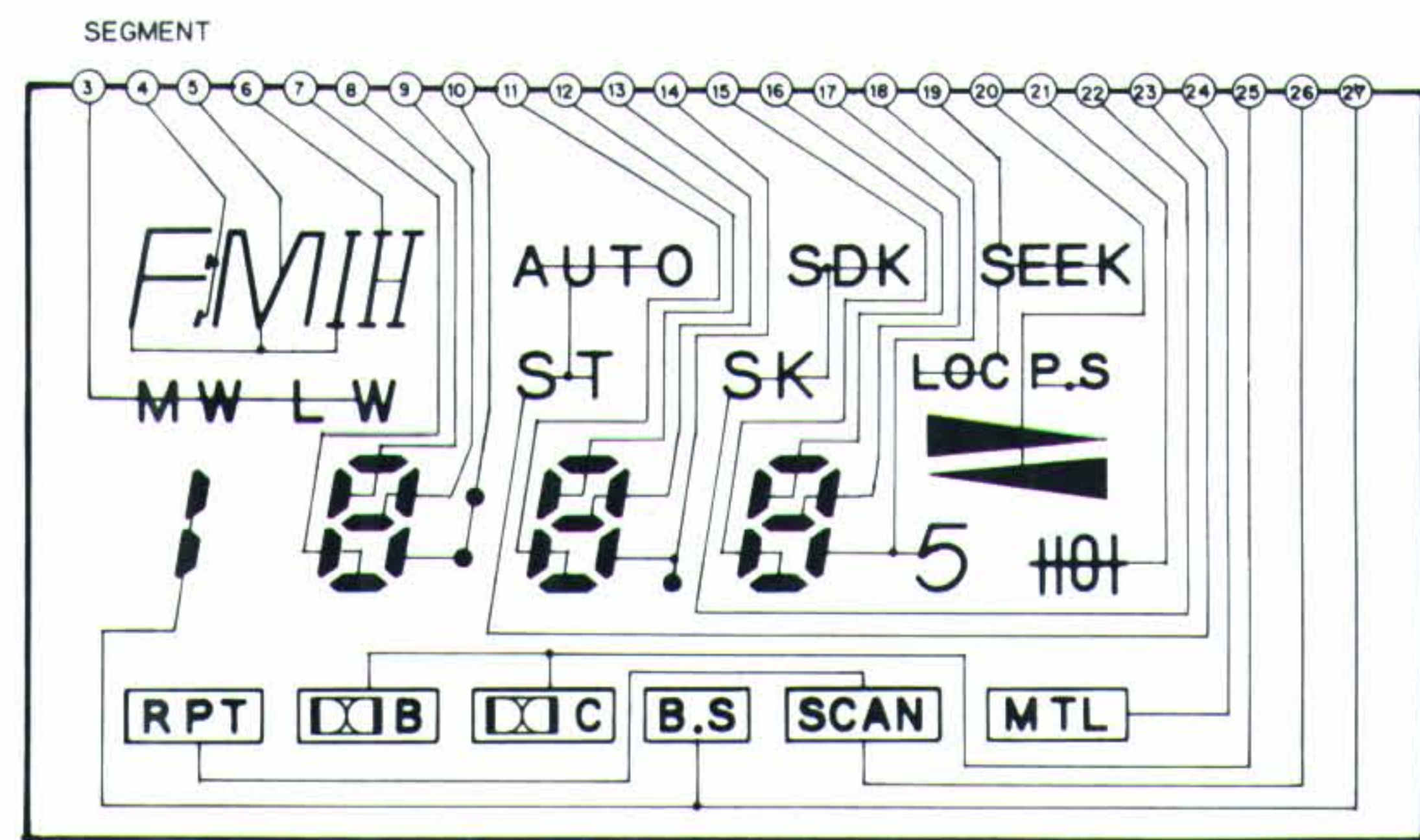


A

B

C

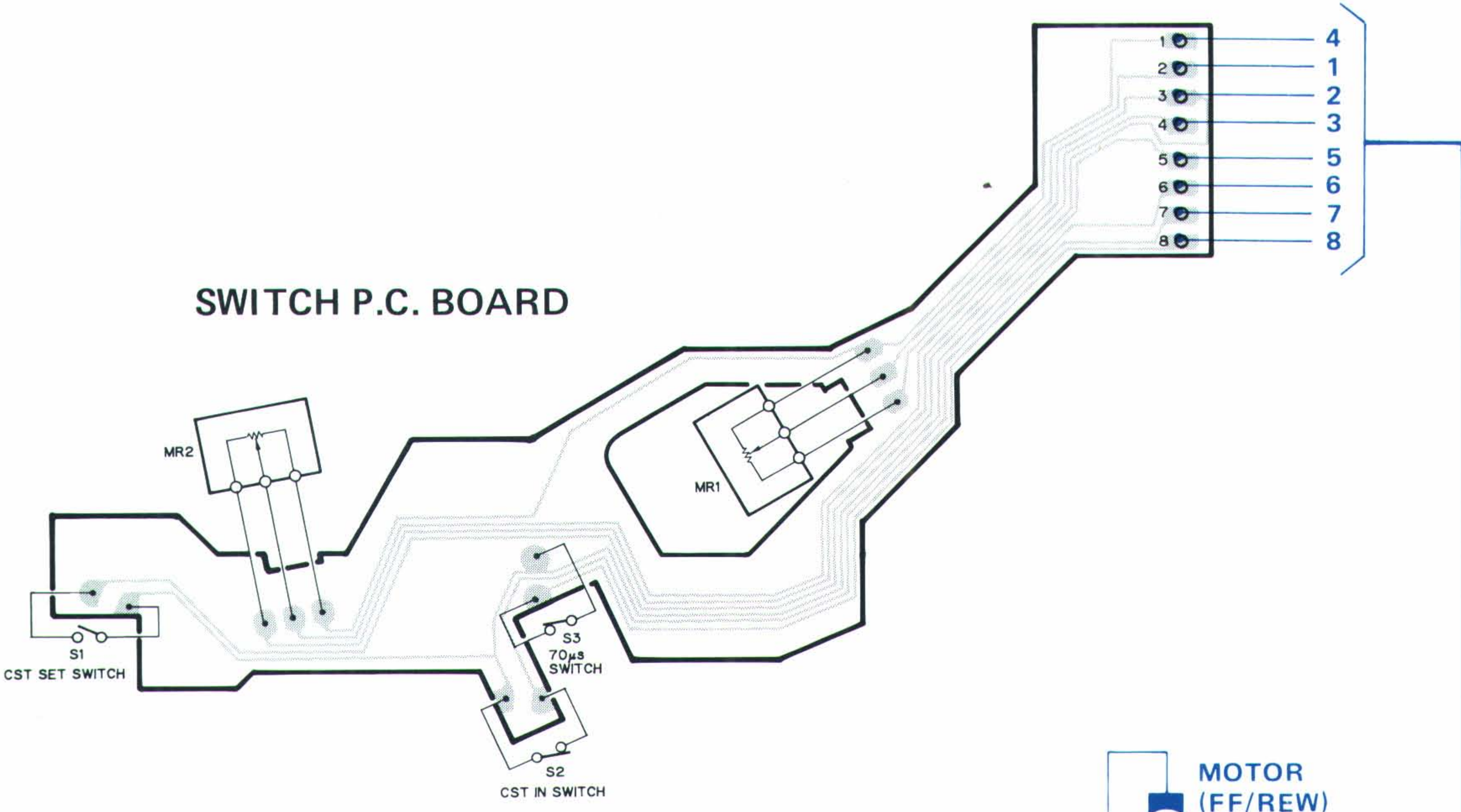
D



11. CONNECTION DIAGRAM (KEH-9030SDK/WG)

1 | 2 | 3

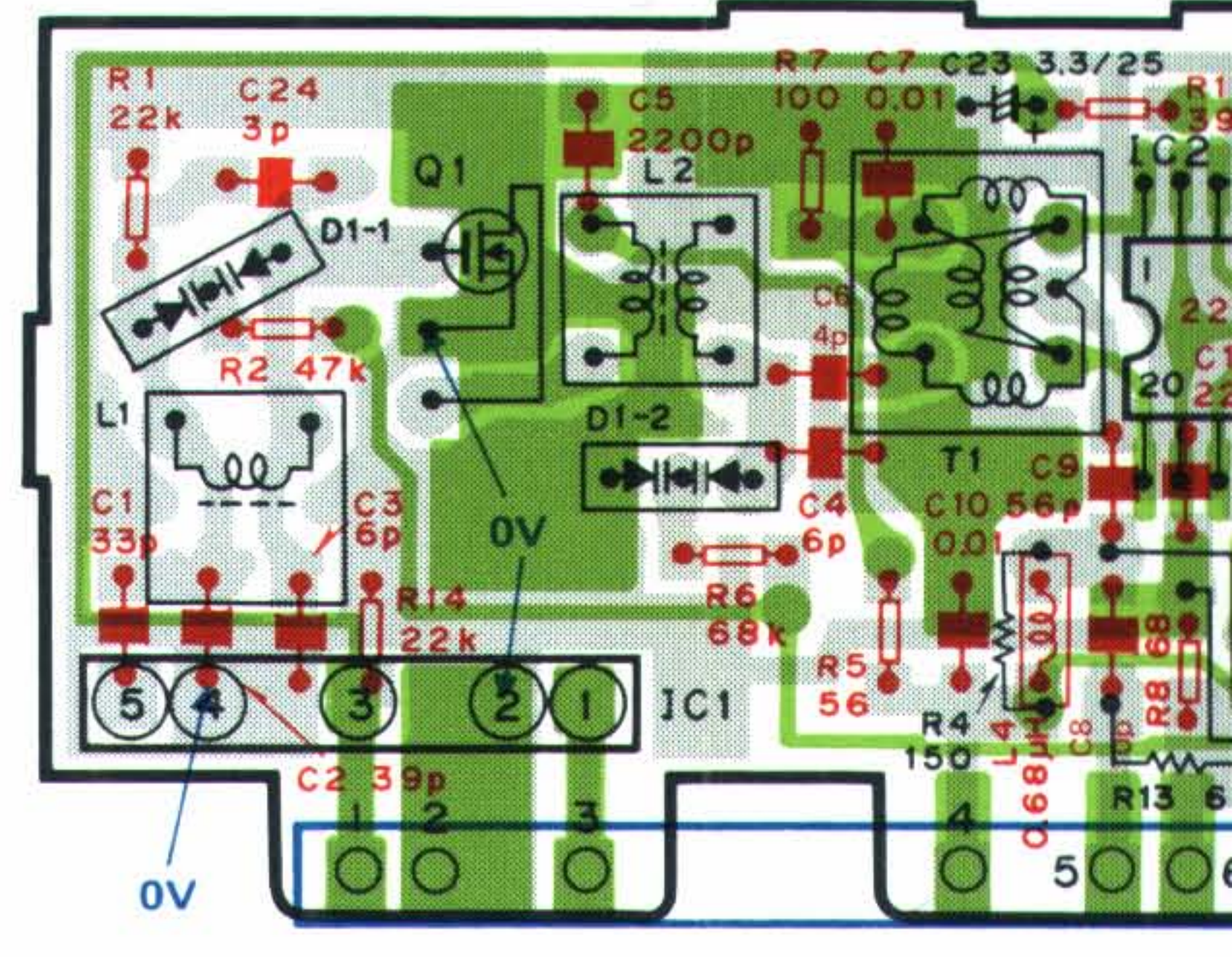
SWITCH P.C. BOARD



FM FRONT END IC2

1	
11	
8	

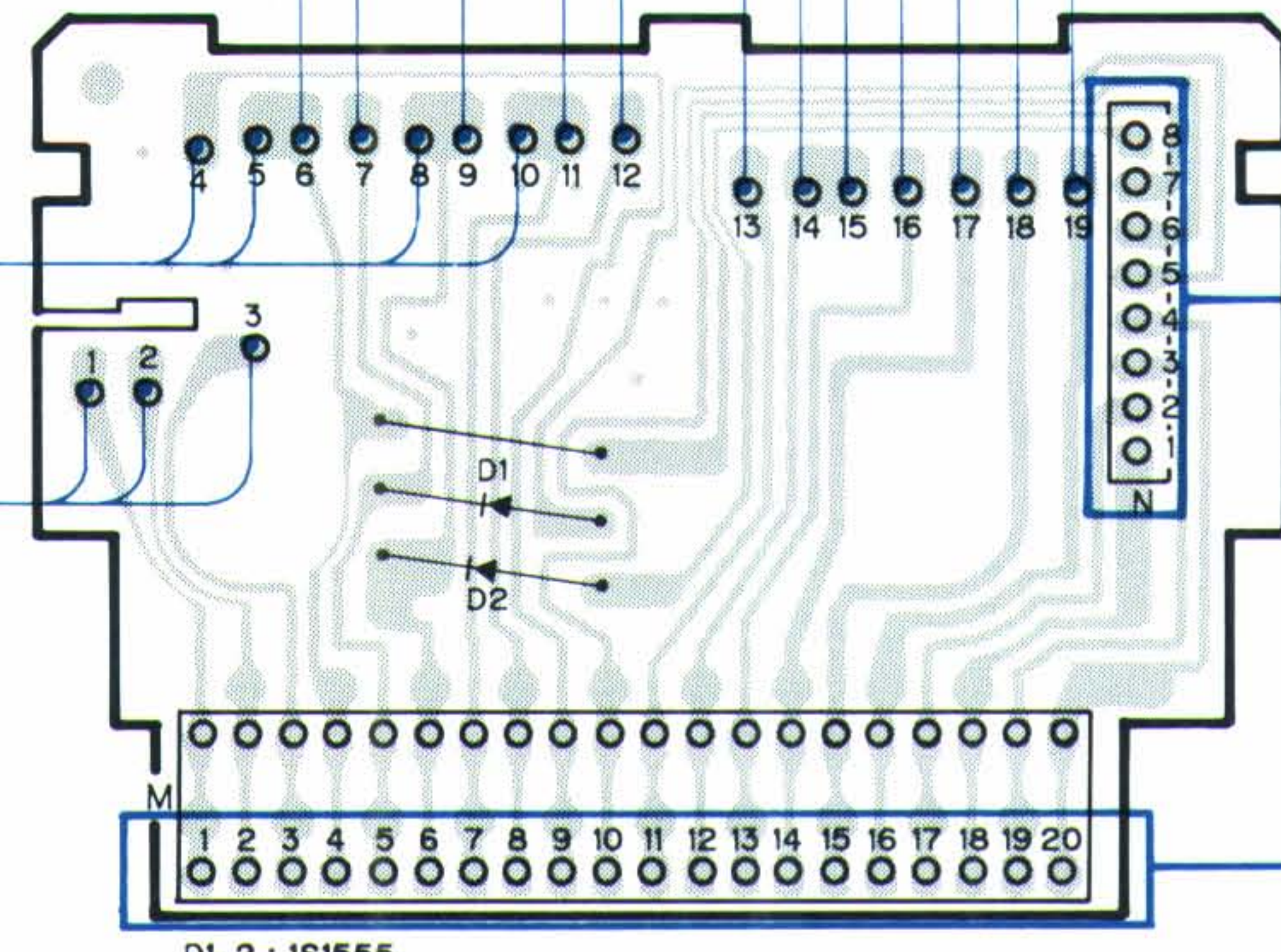
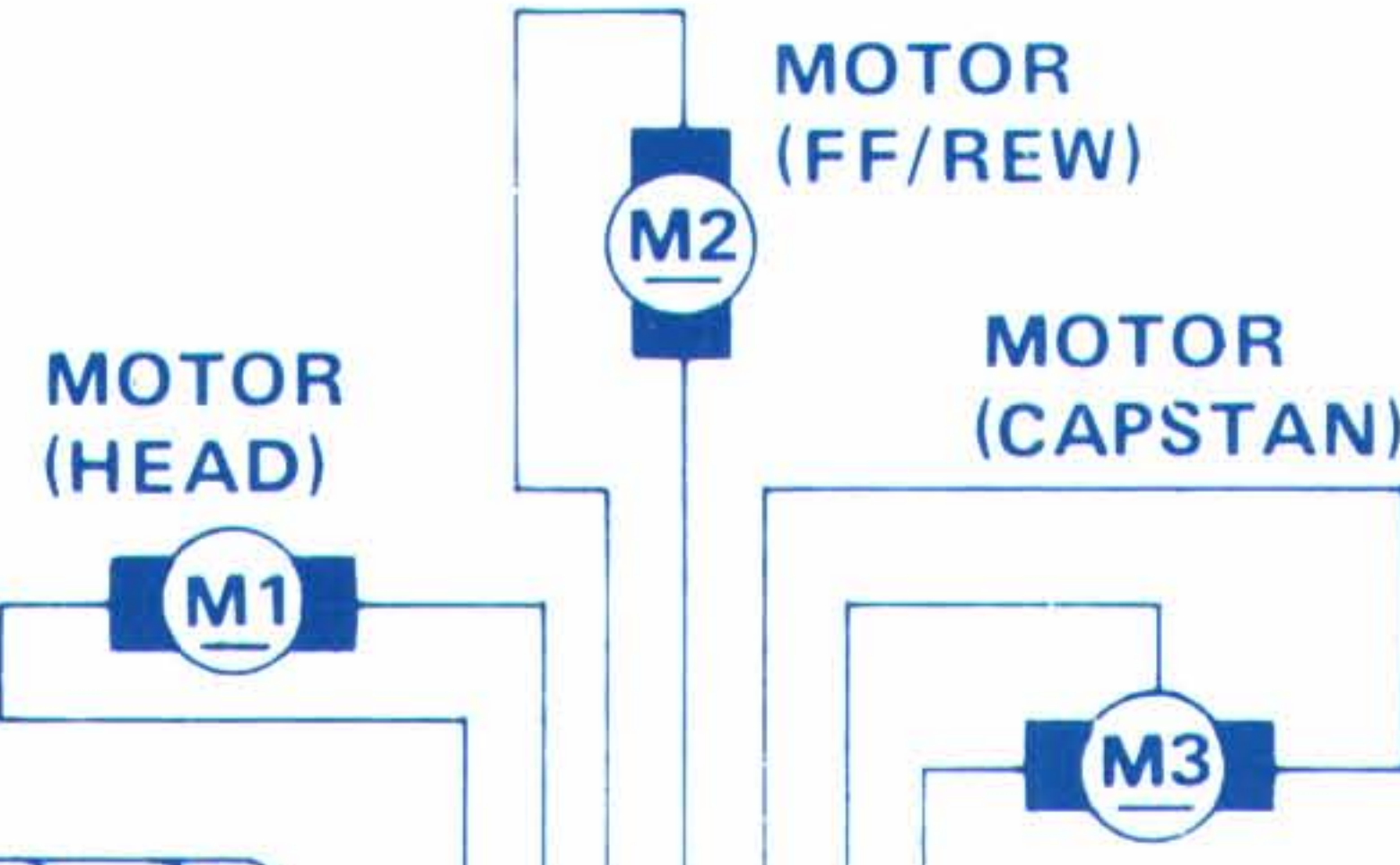
Q, IC IC1 Q1
ADJ. L1 L2



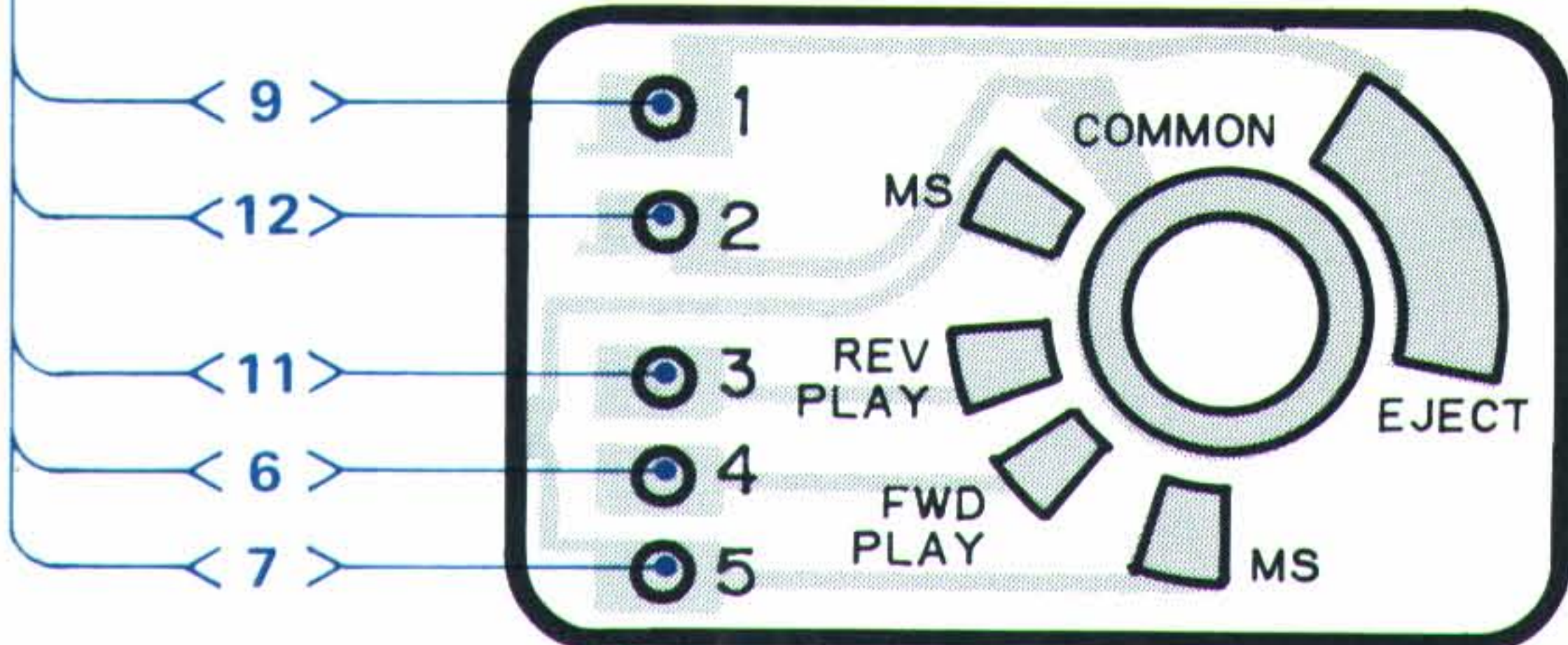
IC1 : CWW-173 Q1 : 2SK241-GR D1 :
IC2 : PA4009 Q2 : 2SC2753 or 2SC25 Q2 :
Q3 : 2SK241-Y Q3 : 2SK241-Y

FM F

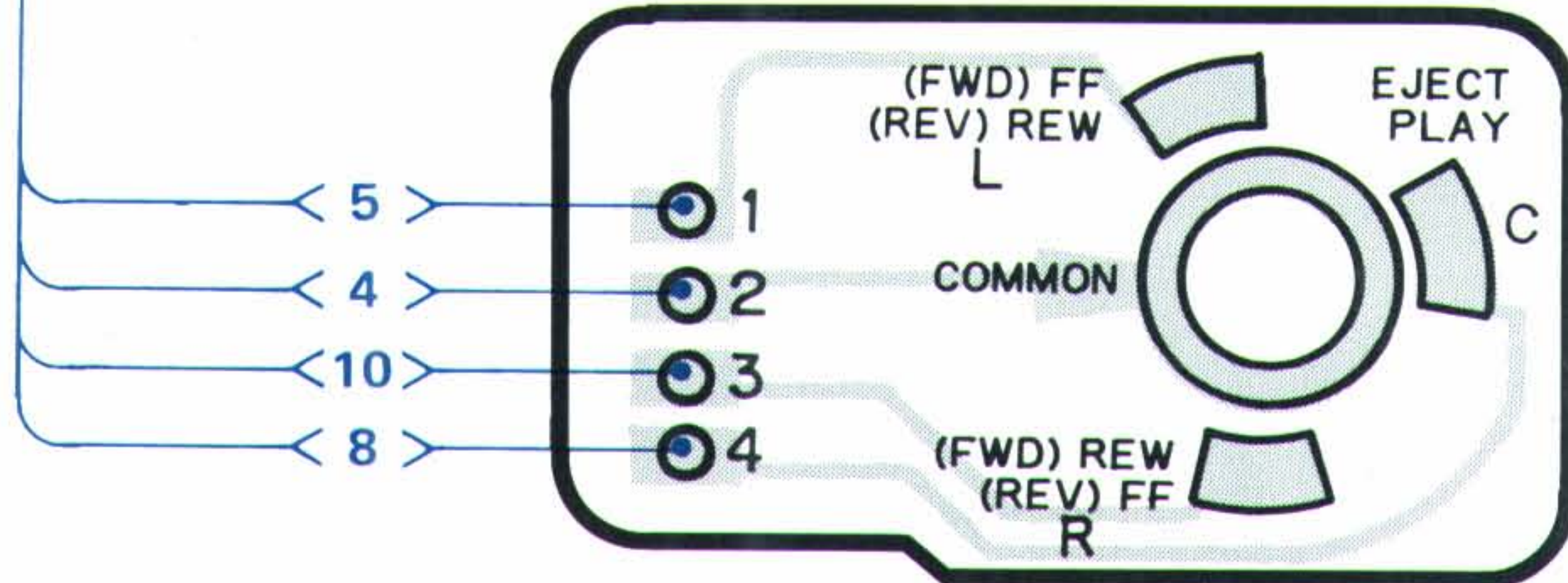
HD1 HEAD UNIT



P. C BOARD UNIT



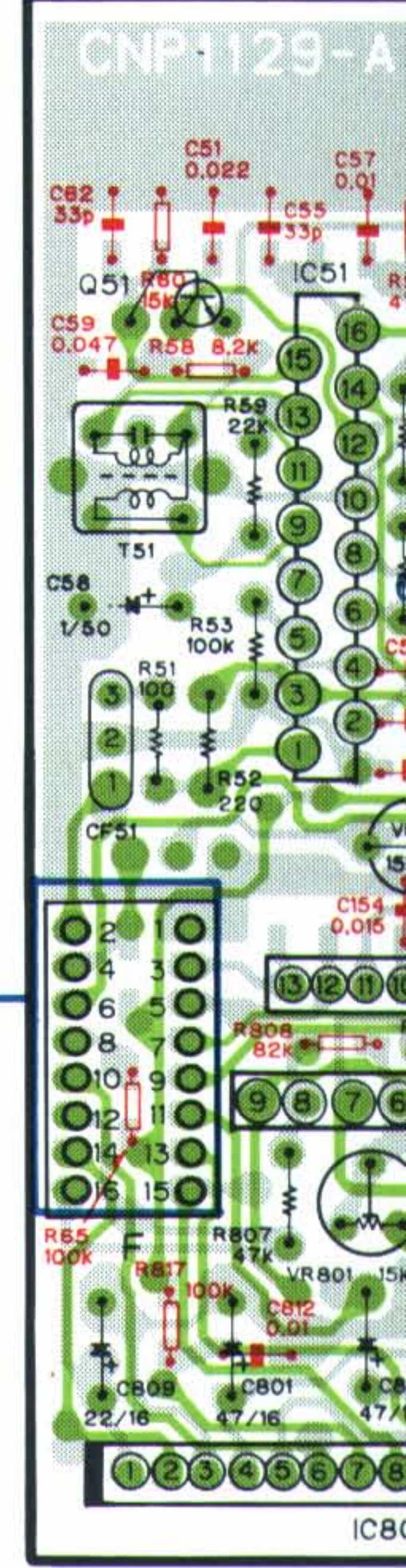
SENSE P.C. BOARD (A)



SENSE P.C. BOARD (B)

FM UNIT

Q51 IC51
IC, Q IC801 IC151
ADJ. VR VR



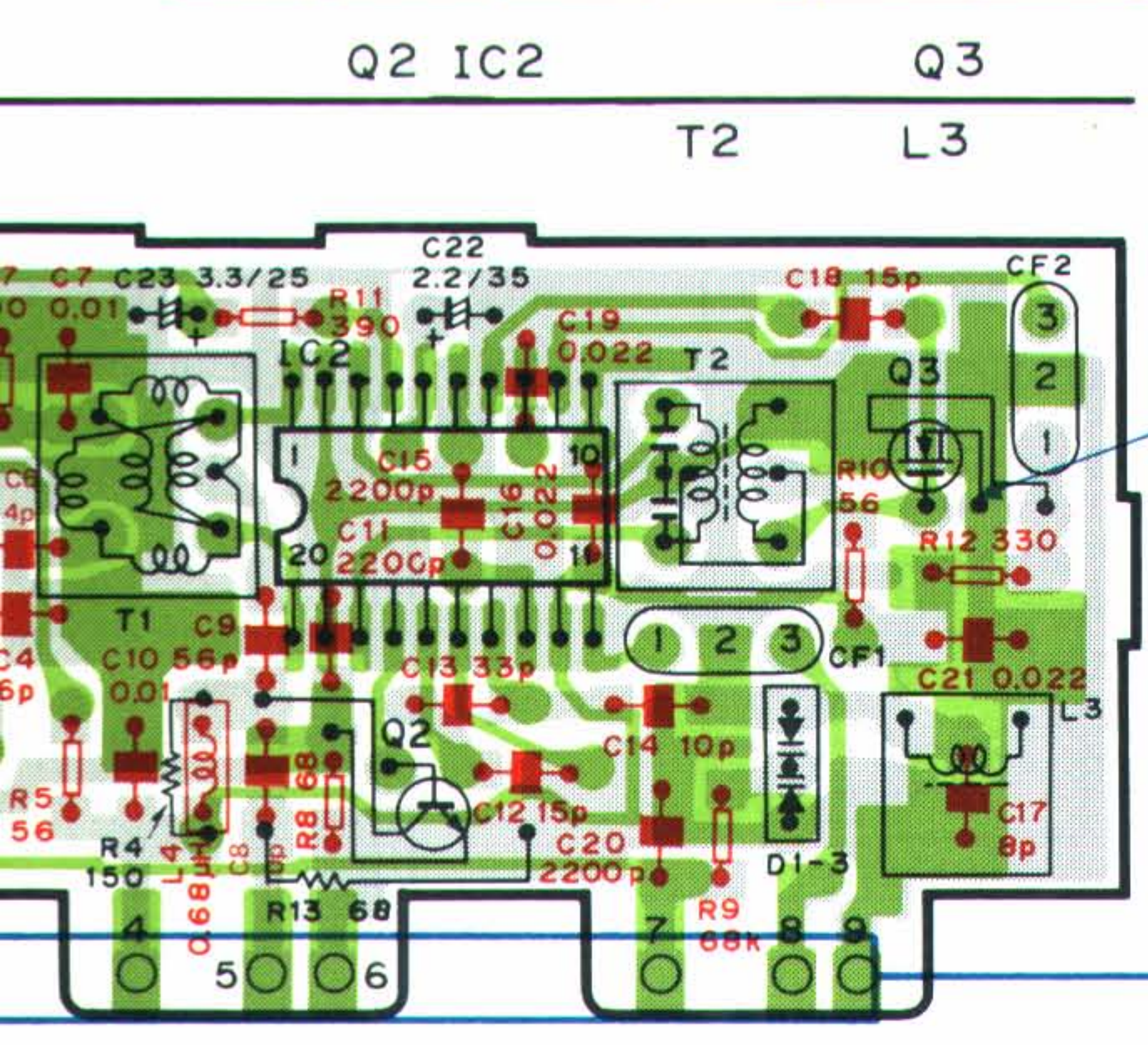
IC51 : LA1140B IC101 : KH
IC801 : KHA126 IC802 :
Q51~53, 801 : 2SC2458 or
D151 : US1040M, 1S5133 or

FM UNIT IC802

5	6	9
0V	4.1V	8.7V

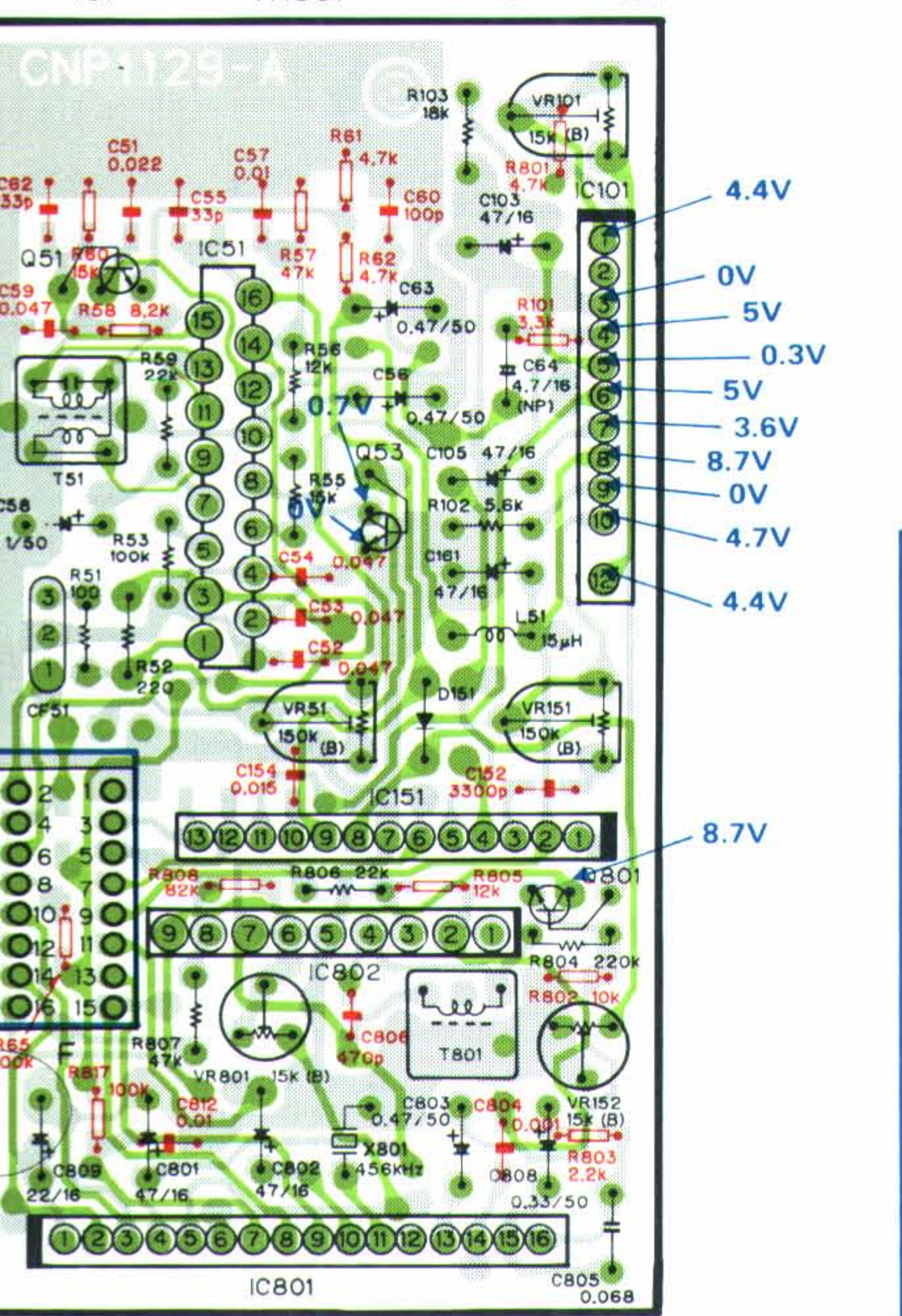
1 | 2 | 3

IC2	1	2	3	4	5	6	7	8	9	10
		0V				0V	3.3V	3.3V		0V
	11	12	13	14	15	16	17	18	19	20
	8.5V	8.2V	3.2V	0V	2.5V				0V	

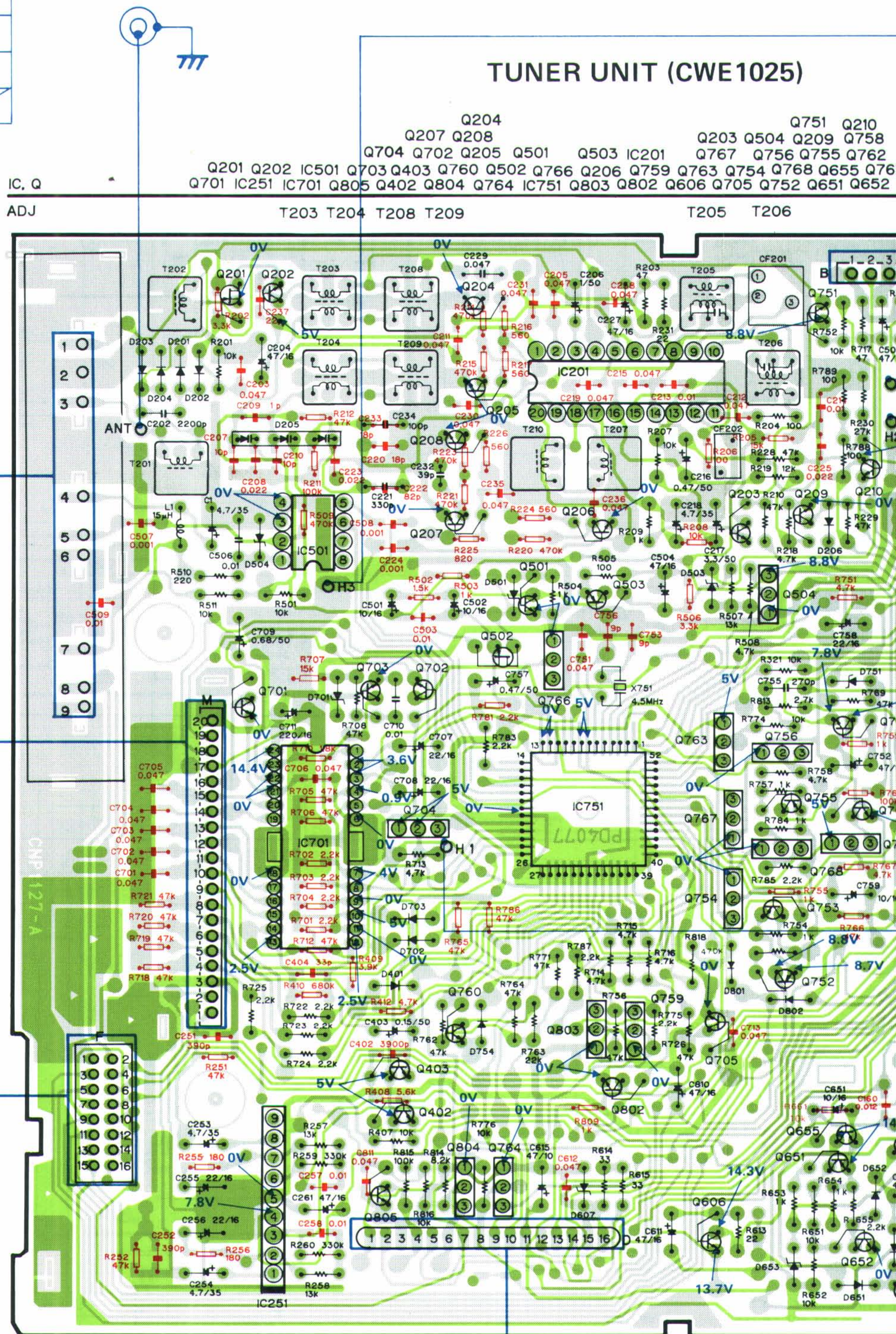


FM FRONT END (CWB1004)

FM UNIT (CWE1019)



ANTENNA JACK



TUNER UNIT (CWE1025)

- IC201 : LA1135 IC251 : M51522AL IC301 : BH-2401B IC351 : TA75558S IC451 : NJM4558S IC501 : μPB553AC IC701 : P...
- Q201 : 2SK435 Q202, 203, 209, 210, 251, 252, 402, 403, 501, 607, 608, 652, 655, 702, 703, 705, 751, 758, 760, 762, 802, 805 : 2SC1740
- Q301, 302 : 2SD601-YQ or 2SC2712-LG Q502 : 2SK330 Q503, 651, 654, 656, 753, 755, 851, 852 : 2SA1048 Q504, 754, 756, 759, 76...
- Q657~660 : 2SD1468S or 2SD1012 Q701 : 2SD1055F Q704 : UN4111 or DTA114ES Q752 : 2SA1150 Q761, 763, 765 : UN4113 or DTA114E...
- D201, 202, 206, 351~356, 401, 606, 608~610, 651, 652, 654, 702, 703, 753, 754, 801, 802 : US1040M, 1S1176 or 1S1133 D203, 204 : 1S155...
- D503, 611 : HZ5SR6JB2, B3 or RD5R6JSB2, B3 D504, 607 : RD5R1ESB1, B2 or HZ5SR1EB1, B2 D653 : HZ5SR2JB2, B3 or RD8R2JSB2, B3 DT...

FM UNIT IC51

1	2	3	4	5	6	7	8
2.6V	2.6V		0V	2.1V	0.7V	5V	5V
9	10	11	12	13	14	15	16
5V	0V	5V	8.7V	5V	3.7V	0.6V	4V

FM UNIT IC151

1	2	3	4	5	6	7
	8.7V	1V		3V	5V	0V
8	9	10	11	12	13	
0V	0V		5V	3.7V	3.7V	

FM UNIT

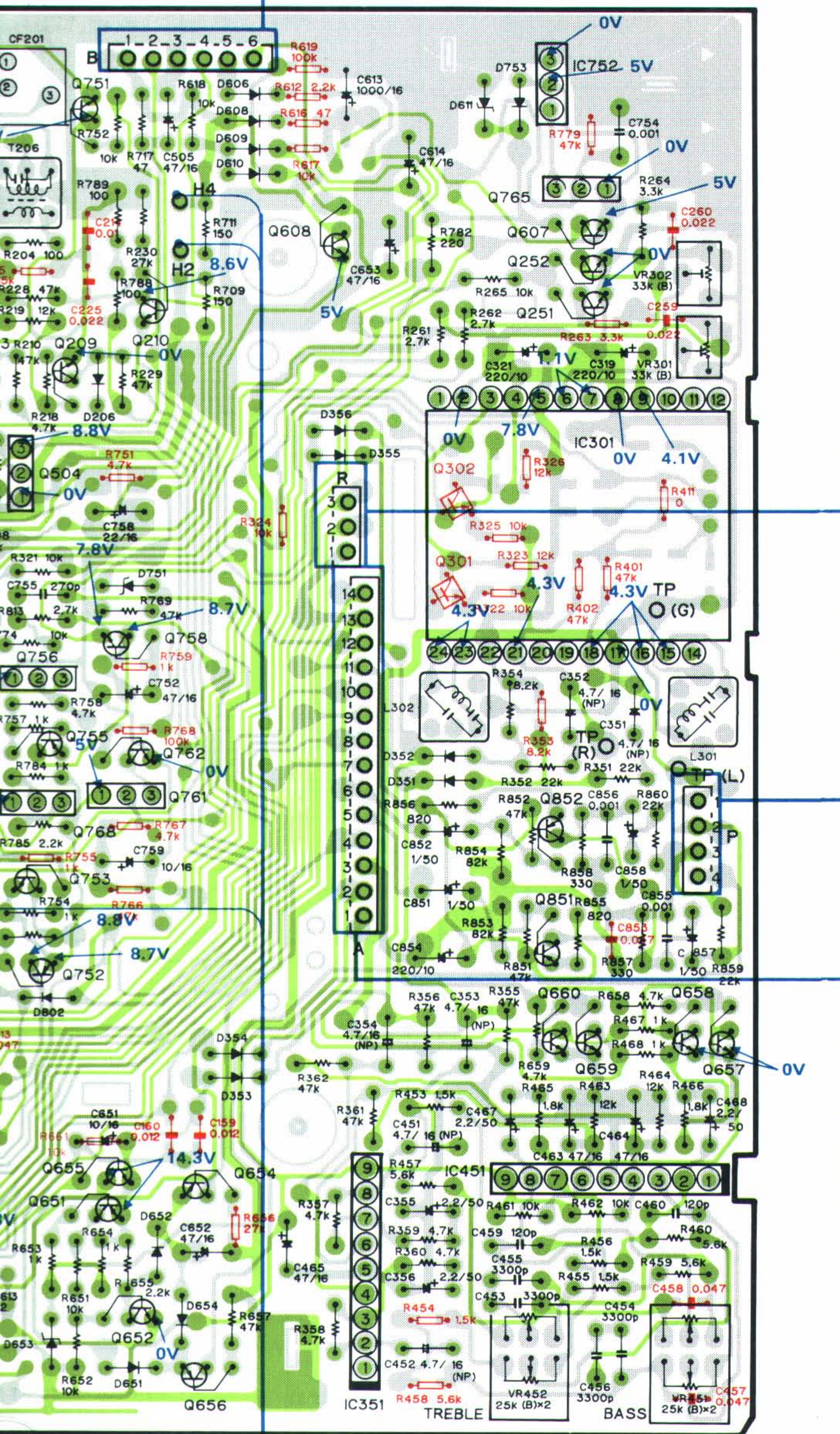
1	2
8.7V	0V
9	10
0.6V	4.5V

Q751 Q210
Q504 Q209 Q758
Q756 Q755 Q762
Q764 Q768 Q655 Q761 Q654
Q752 Q651 Q652 Q656

Q302 IC752 Q765
Q301 Q607 Q252
Q851 Q660 Q852 Q251

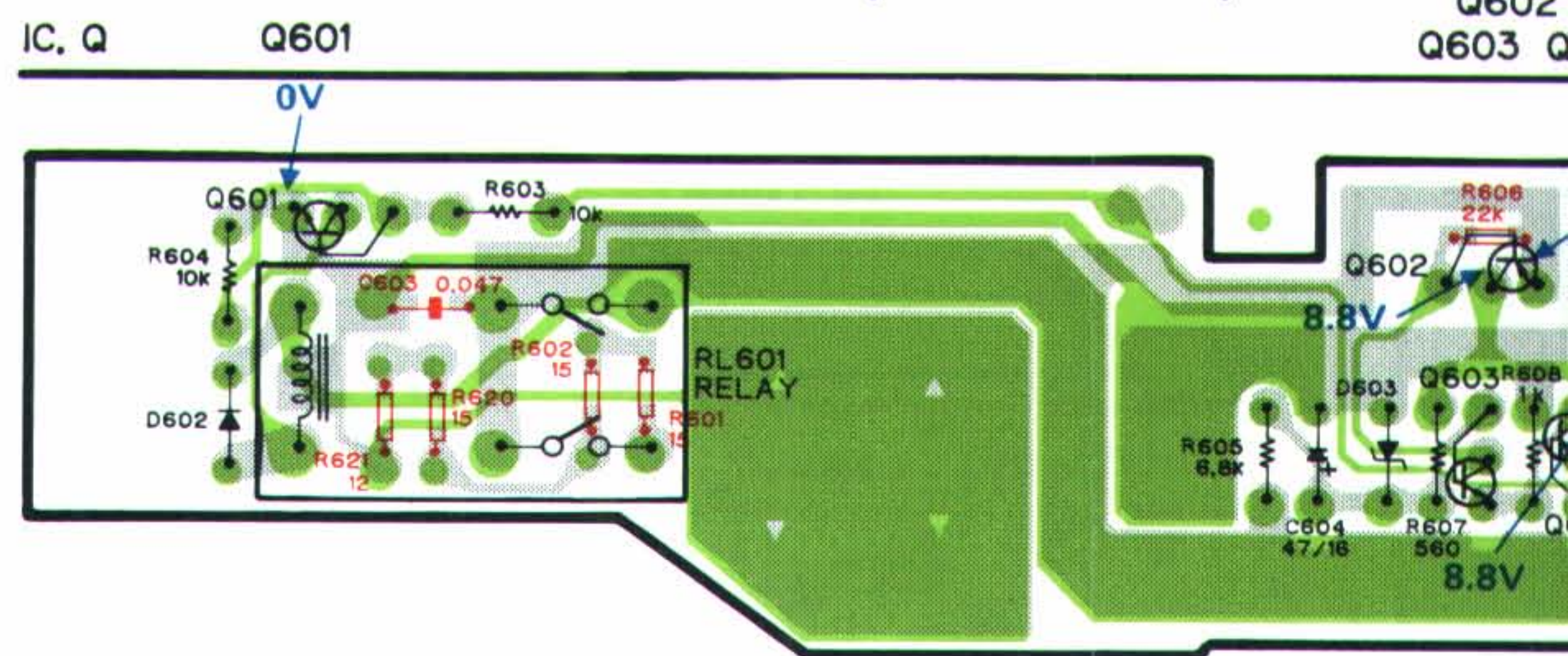
Q608 IC351 IC301 IC451 Q659 Q658 Q657

T206 VR302 VR301

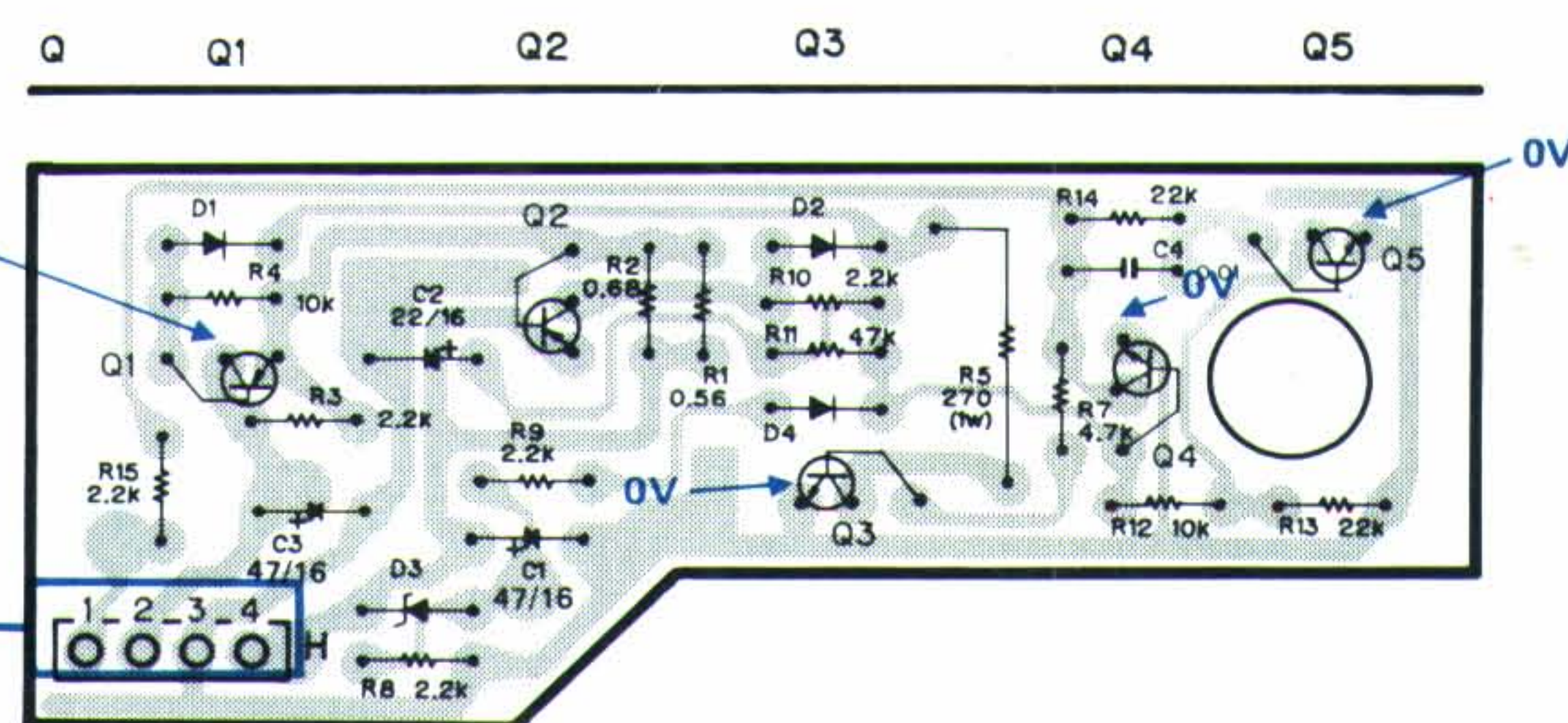
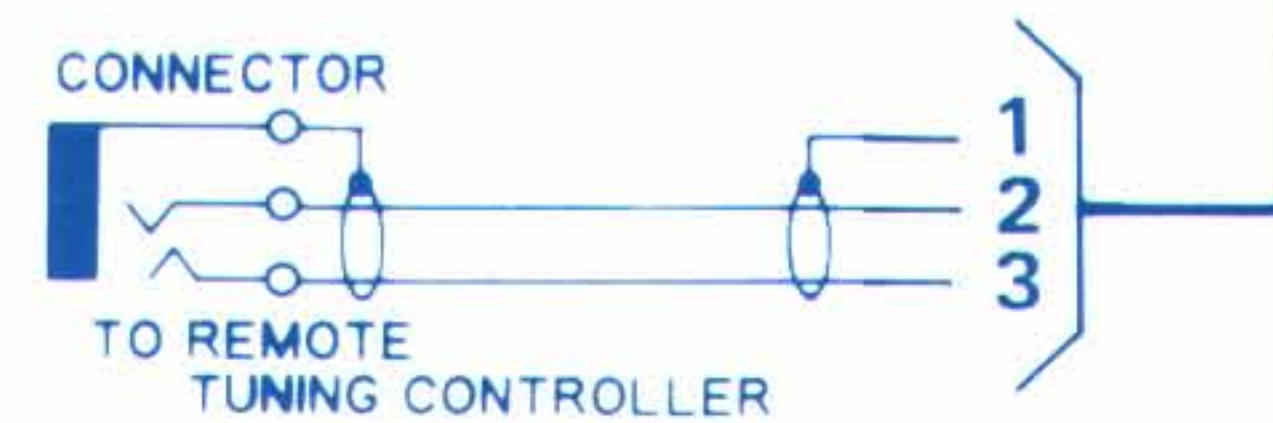
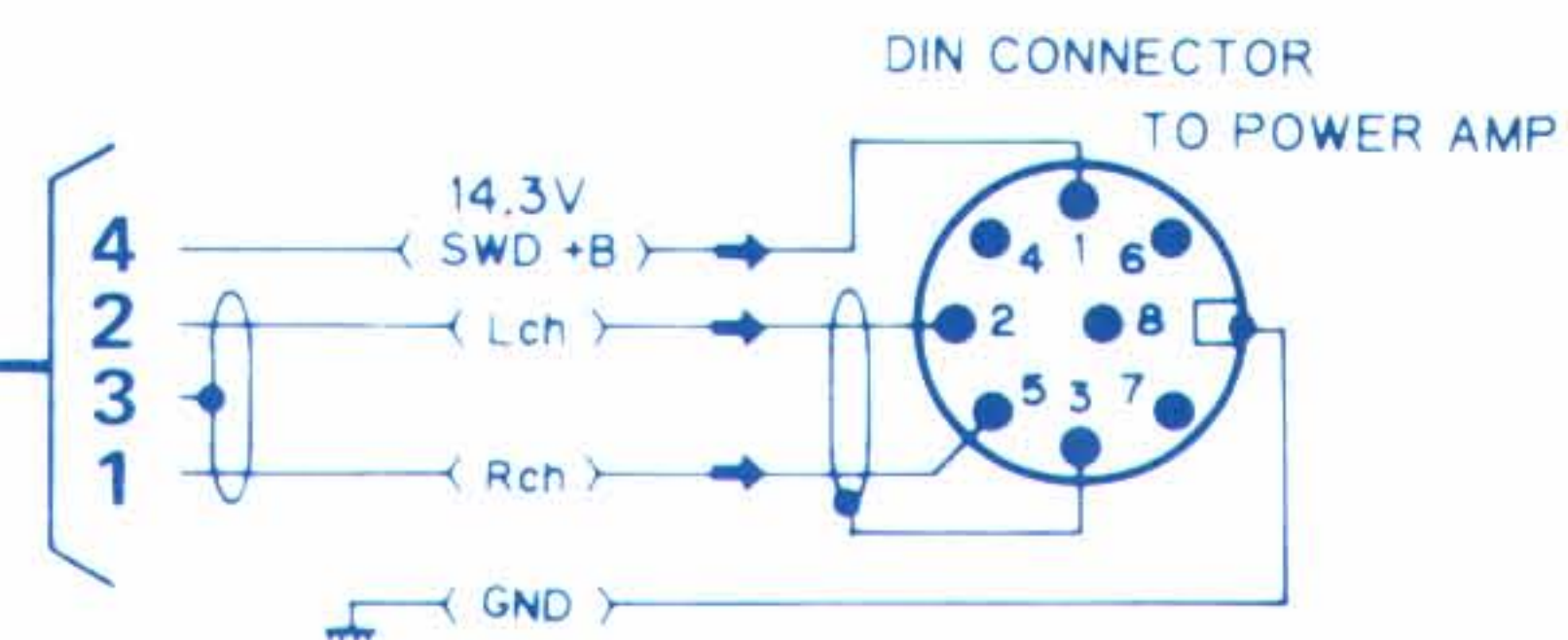


IC751: PD4077C IC752: MN1280-L
Q204~208, 606: 2SC2458
Q504, 754, 756, 759, 764, 766~768, 803, 804: UN4212 or DTC124ES
Q765: UN4113 or DTA144ES
D203, 204: 1S1555 D205: KV1235Z3 or KV1235Z5 D501: HZS2R7EB1, B2 or RD2R7ESB1, B2
D502: RD8R2JSB2, B3 D701: HZS7R5JB1 or RD7R5JSB1 D751: HZS8R2JB1 or RD8R2JSB1

MAIN AMP UNIT (CWH1019)



IC551, 552: TA7270P Q457~460, 601, 603~605: 2SC2458 or 2SC536SP Q602: 2SD1468S or 2SD1012
Q455, 661, 662: 2SD1468S or 2SD1012 D601, 605: ERA15-02VH or SM-1A-02LFD D602, 604: US1040M, 1SS133 or 1SS176 D603: RD22JSB2 or HZS22JB2



Q1: 2SB1066MF Q2: 2SA1048 or 2SA608SP Q3, 4: 2SC2021F
Q5: 2SC1740S or 2SC2458
D1, 2, 4: US1040M, 1SS133 or 1SS176 D3: RD22JSB2 or HZS22JB2

PROTECTIVE CIRCUIT UNIT (CWM1191)

TUNER UNIT IC201

1	2	3	4	5	6	7	8	9	10
5V	2.1V	0.6V	0V	0V	2.1V	8.6V	8.6V	0.9V	8.6V
11	12	13	14	15	16	17	18	19	20
0.7V	0V	2.3V	8.6V	1.3V	0.4V	2.3V	5.7V	5.7V	3.0V

TUNER UNIT IC451

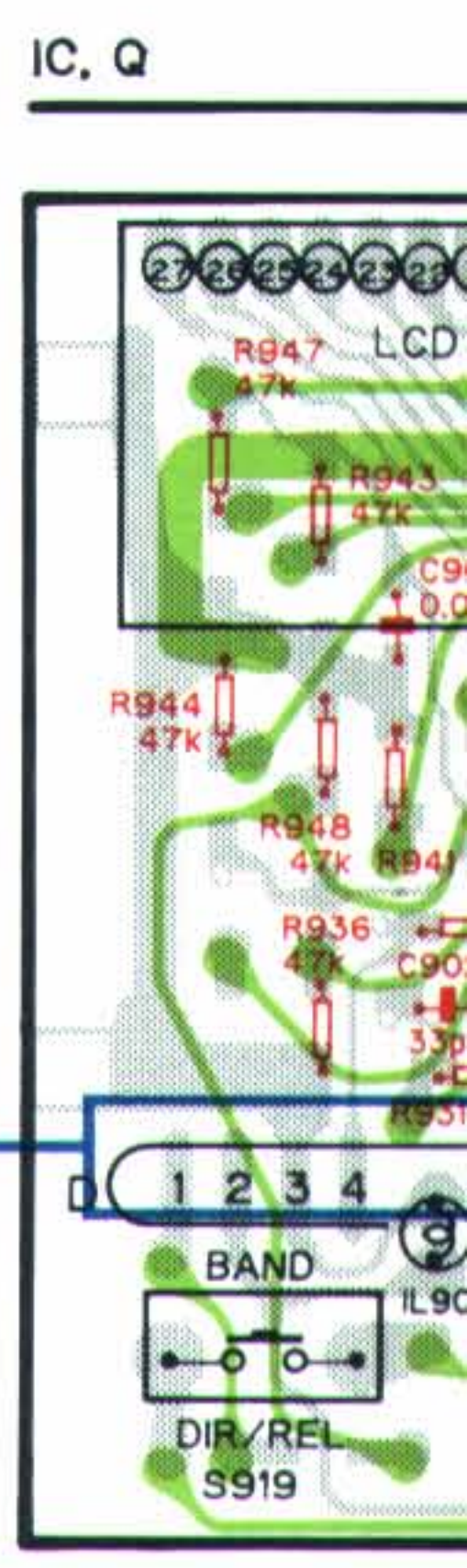
1	2	3	4	5	6	7	8	9
8.8V	4.8V	4.8V	4.8V	0V	4.8V	4.8V	4.8V	

TUNER UNIT IC351

1	2	3	4	5	6	7	8	9
	4.8V	4.7V	4.7V	0V	4.8V	4.8V	4.8V	8.8V

FM UNIT IC801

1	2	3	4	5	6	7	8
8.7V	0V	0V	4.5V	4.5V	5V	1.9V	5V
9	10	11	12	13	14	15	16
0.6V	4.5V	4V		0V	2.2V	3V	3V



IC901: PD4078
D901~903: MA

